

# Vehicle Weights and Dimensions Request Form

---

Motor Carrier Consultation  
Committee Meeting  
November 16, 2016



# What is Considered to Approve a Request for Changes to VWDs

- Static Rollover
- Dynamic Load Transfer
- Friction Demand in Tight Turns
- Braking Efficiency
- Low Speed Offtracking
- High Speed Offtracking
- Transient High Speed Offtracking
- Impact to Infrastructure
- Highway Geometry

# Information Required

- Vehicle Dimensions
- Interaxle Spacing
- Axle Spread
- Wheelbase
- Length
- Width
- Height
- Load
- Effective Overhang
- Hitch Offset
- Drawbar Length
- Box Length
- Axle Type, (tandem, tridem, 16-wheel tandem, etc)
- Axle Weights
- Gross Vehicle Weight

<b>Date of Request</b>	
<b>Requested by:</b>	
Name (Company name if applicable) :	
Contact Person :	Telephone :
Address :	Fax :
City, Province, Postal Code :	E-mail :
Description of vehicle (Straight truck, truck tractor configuration, special mobile machine, service rig, etc) and reason for the request. In addition to text description, provide front, side, rear and elevation view drawings.	
Purpose of the Vehicle (what will the vehicle be used for?) What changes are required? Are there vehicles in the province that already conduct this type of business?	
Is this vehicle approved in other jurisdictions? If so, which jurisdiction(s)? Provide copies of all documentation, permit(s) if applicable and a contact name.	
What are the benefits for your company and/or clients? How does it benefit Manitoba?	
Where will the vehicle be operated in Manitoba? (Provide routes, roads, highways, and/or maps of where the vehicle will be operated)	
Supporting Documentation <u>Please Attach</u> all relevant reference materials, e.g. Supporting data, Specification sheets, Route maps Photos, Permits (from Manitoba and other jurisdictions), Vehicle Dynamic Performance reports, Research, etc.)	

**PART A: Vehicle Review Specifics: (METRIC measurements only)**

1.

*Vehicle Type (Straight truck, truck tractor combination, special mobile machine, service rig)*

2.

*Make, Model and Year of Vehicle*

3.

*Type and number of Axles (Include information regarding steerable, liftable, pusher, tag and/or 6x2 axles, etc)*

4.

*Provide details of any special hitches, axles, roll couplers or planetary gears/drives, etc?*

5.

*Where will the vehicle be operated in Manitoba? (Provide routes, roads, highways, and/or maps of where the vehicle will be operated)*

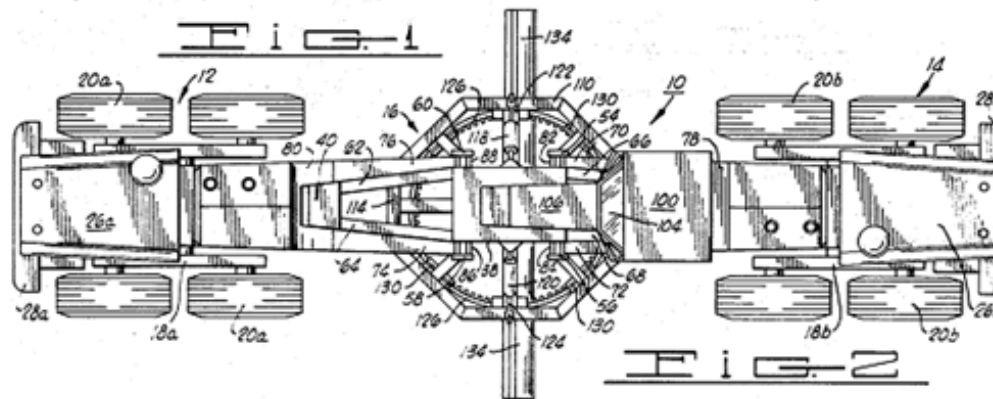
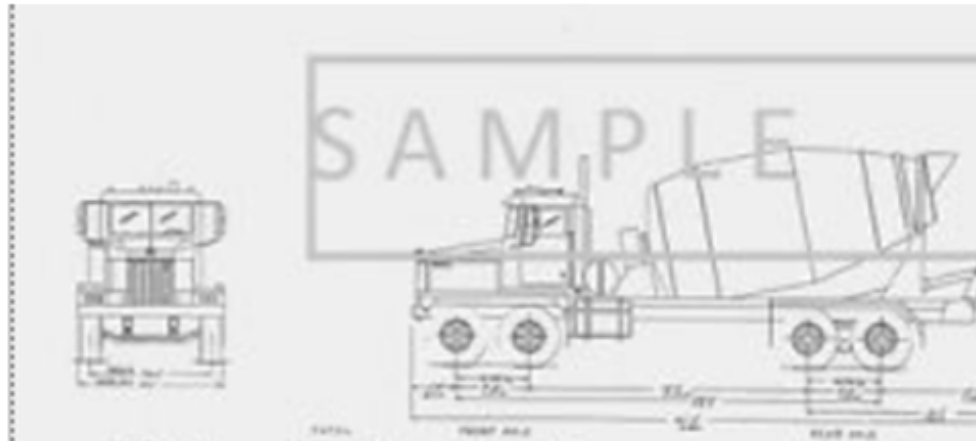
6.

*What is the commodity being carried/towed by this vehicle?*

# Contact Information

Date of Request <b>November 16, 2016</b>	
Requested by: <b>Jane Doe</b>	
Name ( Company name if applicable) : <b>My Company LTD</b>	
Contact Person : <b>Jane Doe</b>	Telephone : <b>222 555-1111</b>
Address : <b>2 First Street</b>	Fax : <b>222 555-1112</b>
City, Province, Postal Code : <b>Winnipeg, MB R2D 2C3</b>	E-mail : <b>JD2@email.com</b>

Description of vehicle (straight truck, truck tractor configuration, special mobile machine, service rig, etc) and **reason for the request**. In addition to text description, provide front, side, rear and elevation view drawings) My company Ltd is requesting to use wide spread tandem steer axle concrete redi-mix straight trucks in Manitoba.



Purpose of the Vehicle (what will the vehicle be used for?). **What changes are required?** Are there vehicles in the province that already conduct this type of business?

The vehicle will be used to haul redi-mix concrete products. Changes to the current requirements include allowing a tandem axle spread greater than 1.85 m for the steering axles. The wide spread tandem steer axle is needed to accommodate new environmental equipment, such as particulate traps, etc. There are vehicles already operating in the province of Manitoba.

Is this vehicle approved in other jurisdictions? If so, which jurisdiction(s)? Provide copies of all documentation, permit(s) if applicable and a contact name.

This vehicle is legal in jurisdictions to the east, but not in jurisdictions to the west.

What are the benefits for your company and/or clients? How does it benefit Manitoba?

Where will the vehicle be operated in Manitoba? (Provide routes, roads, highways, and/or maps of where the vehicle will be operated)

This vehicle supplies concrete redi-mix products to all communities in Manitoba and will be operated on all levels of highways in Manitoba.

**Supporting Documentation** (Please Attach all relevant reference materials, e.g. Supporting data, Specification sheets, Route maps Photos, Permits (from Manitoba and other jurisdictions), Vehicle Dynamic Performance reports, Research, etc.)  
Attached are reports related to the dynamic performance of this vehicle configuration.



**PART A: Vehicle Review Specifics: (METRIC measurements only)**



1.

*Vehicle Type (Straight truck, truck tractor combination, special mobile machine, service rig)*

2.

*Make, Model and Year of Vehicle*

3.

*Type and number of Axles (Include information regarding steerable, liftable, pusher, tag and/or 6x2 axles, etc)*

4.

*Provide details of any special hitches, axles, roll couplers or planetary gears/drives, etc?*

5.

*Where will the vehicle be operated in Manitoba? (Provide routes, roads, highways, and/or maps of where the vehicle will be operated)*

6.

*What is the commodity being carried/towed by this vehicle?*

Vehicle Type (Straight truck, truck tractor combination, special mobile machine, service rig)

The vehicle is a tandem steer tandem drive straight truck with a redi-mix unit permanently mounted behind the cab of the truck.

Make, Model and Year of Vehicle

The vehicle is a R-model 2016 Mack truck.

Type and number of Axles (Include information regarding steerable, liftable, pusher, tag and/or 6x2 axles, etc)

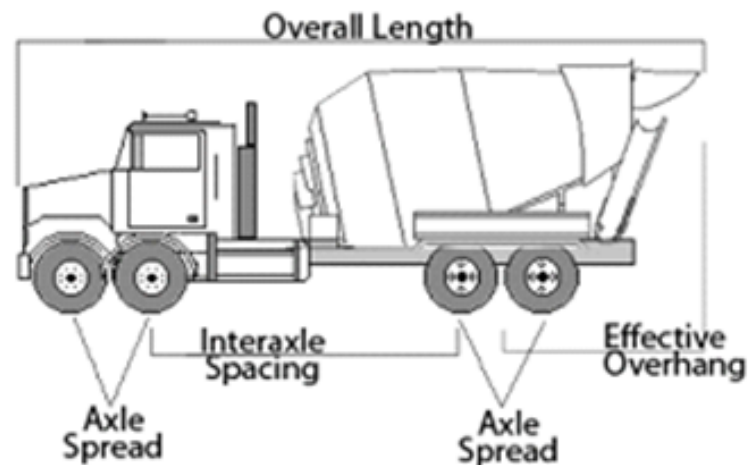
The vehicle has 4 axles, 2 steering axles and 2 drive axles. Both steering axles steer and both drive axles drive. There are no lift, pusher or tag axles.

Provide details of any special hitches, axles, roll couplers or planetary gears/drives, etc?

Not applicable

What is the commodity being carried/towed by this vehicle?

Redi-mix concrete.



DIMENSION	LEGAL	PROPOSED DIMENSIONS
<b>Overall Length</b>	Maximum 12.5 m	
<b>Overall Width</b>	Maximum 2.6 m	
<b>Overall Height</b>	Maximum 4.15 m	
<b>Box Length</b>	Not Controlled	
<b>Truck:</b>		
Wheelbase	Not Controlled	
Tandem Steering Axle Spread	Minimum 1.2 m/Maximum 1.85 m	
Tandem Drive Axle Spread	Minimum 1.2 m/Maximum 1.85 m	
Tandem Drive Axle Track Width	Not Controlled	
Effective Rear Overhang	Maximum 4.0 m	
<b>Interaxle Spacing</b>		
Tandem Axle to Tandem Axle	Minimum 5.0 m	

# Summary

**QUESTIONS?**